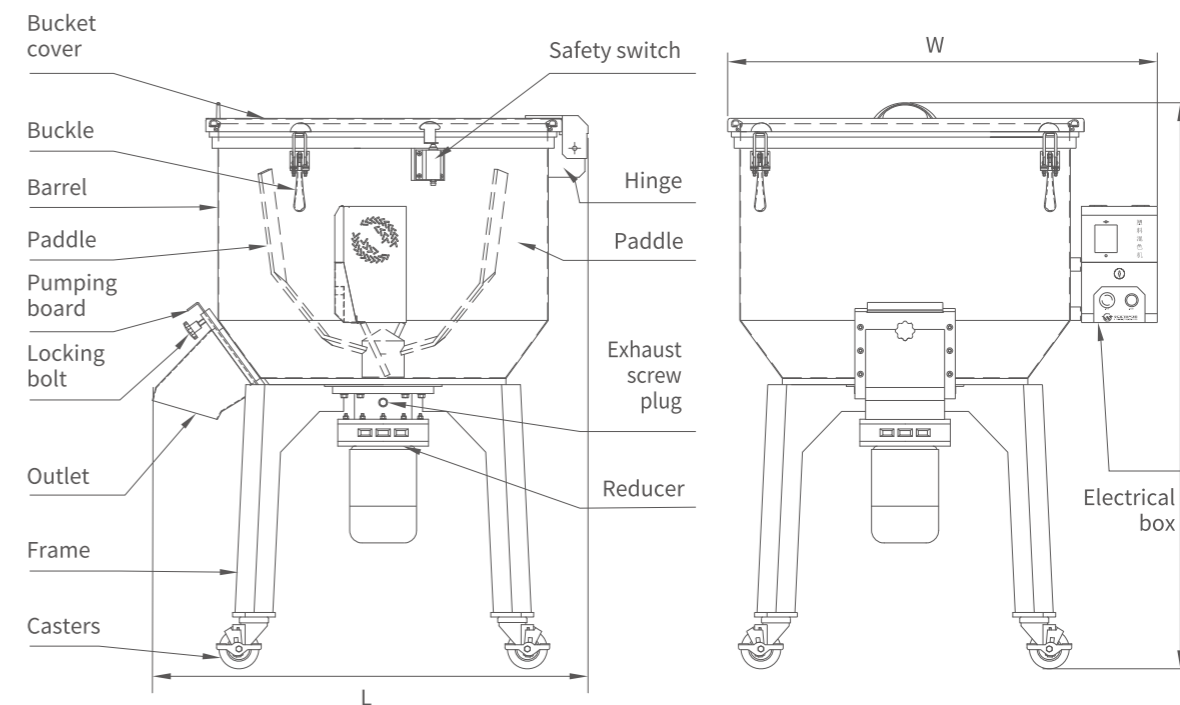


VERTICAL COLOR MIXER WSQB SERIES

Features

- › Fast evenly mixing, low energy consumption and high productivity.
- › Small footprint and equipped with castors for movability.
- › Planet-cycloid reducer is durable and low noise.
- › Safety switch ensures machine operates only when the lid is closed.
- › The lid and barrel bottom are press-formed for precise alignment and durability.
- › Timer able to set within 0-30 minutes.



Vertical Paddles

Paddles can mix materials completely and evenly, and they also minimize load, save time and power consumption. Paddles are made of premium stainless steel, which has high strength and is easy to clean.

Specifications

| Model | Power | | Capacity(kg) | Rotating Speed(r/min) | Dimension(cm) L×W×H | Net Weight (kg) |
|----------|-------|-----|--------------|-----------------------|------------------------|-----------------|
| | kW | HP | | | | |
| WSQB-50 | 1.5 | 2 | 50 | 85 | 85×83×112 | 125 |
| WSQB-100 | 3 | 4 | 100 | 85 | 100×100×129 | 180 |
| WSQB-150 | 4 | 5.5 | 150 | 85 | 113×113×131 | 270 |
| WSQB-200 | 7.5 | 10 | 200 | 85 | 125×125×139 | 313 |

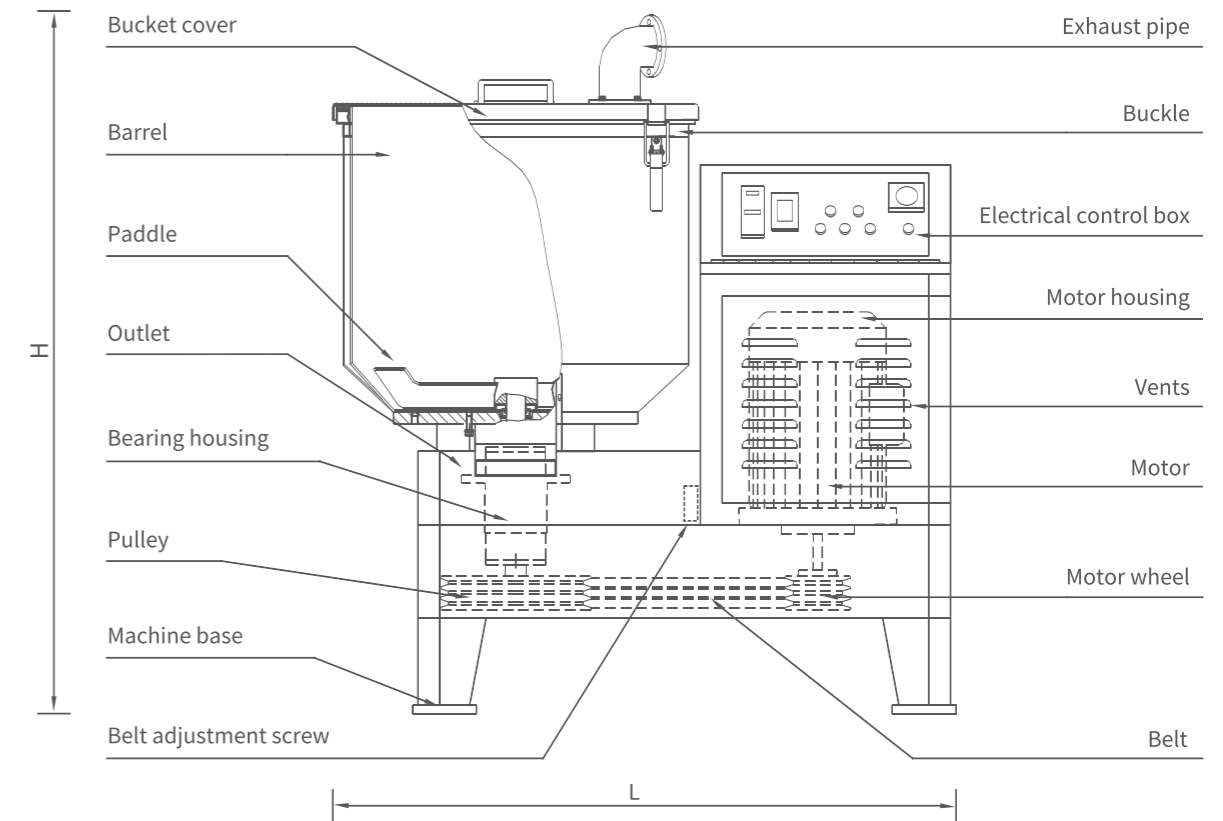
Power supply: 3Φ 380VAC 50Hz;

We reserve the right to change specifications without prior notice.

DRYING COLOR MIXER WSQD SERIES

Features

- › Temperature and timer setting are in one unit for simple adjustment.
- › Barrel is made of stainless steel for easy cleaning.
- › Alarms for motor overload.
- › Metal separation process is optional.



Specifications

| Model | Power | | Capacity(kg) | Rotating Speed(r/min) | Dimension L×W×H (cm) | Net Weight(kg) |
|----------|-------|----|--------------|-----------------------|----------------------|----------------|
| | kW | HP | | | | |
| WSQD-50 | 7.5 | 10 | 50 | 480 | 117×83×135 | 230 |
| WSQD-100 | 15 | 20 | 100 | 480 | 134×98×152 | 270 |
| WSQD-200 | 30 | 40 | 200 | 400 | 171×120×171 | 700 |

Power supply: 3Φ 380VAC 50Hz;

We reserve the right to change specifications without prior notice.

VERTICAL STIRRER WSQF SERIES

Features

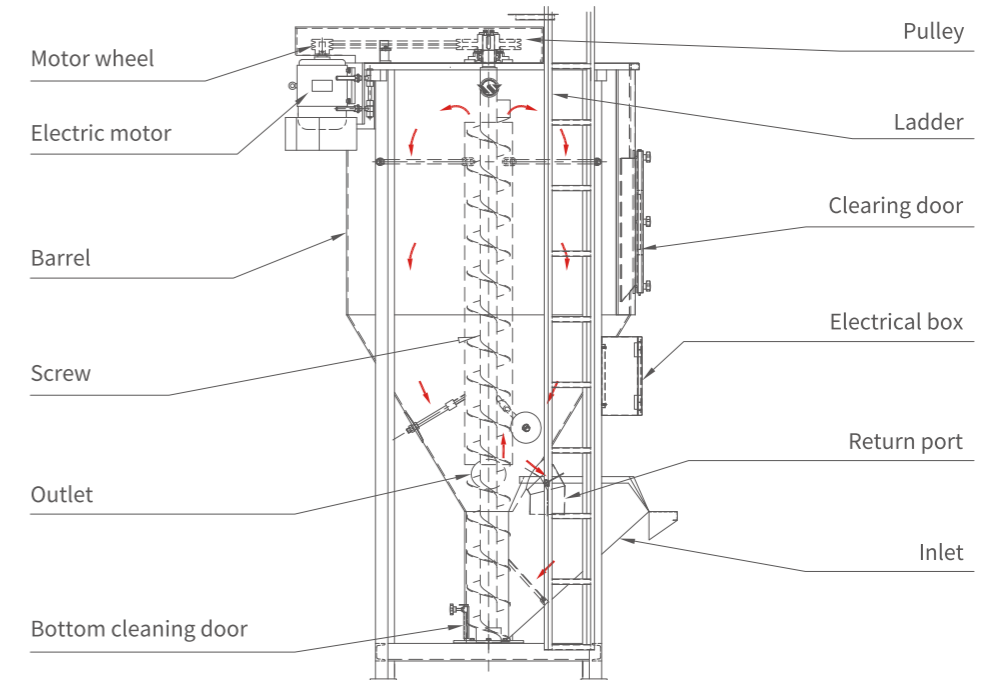
- › Blending screw is vertically mounted for fast and even mixing.
- › Suitable for all kinds of plastic materials and color masterbatches.
- › Barrel and mixing screw are made of stainless steel, both of which are rust free and easy to clean.
- › Equipped with power protection device to ensure operator's safety and no damage to machine.
- › Lower bearing prevents material contamination and prolongs service life.
- › Drying model is optional.



WSQF1000



WSQF-1000X-H



Specifications

| Model | Power | | Capacity (kg) | Rotating Speed (r/min) | Heating (kW) | Blower (kW) | Dimension L×W×H (cm) | Net Weight (kg) |
|-------------|-------|-----|---------------|------------------------|--------------|-------------|----------------------|-----------------|
| | kW | HP | | | | | | |
| WSQF-500X | 2.2 | 3 | 500 | 300 | / | / | 149×122×252 | 450 |
| WSQF-1000X | 3 | 4 | 1000 | 300 | / | / | 180×143×309 | 630 |
| WSQF-2000X | 4 | 5 | 2000 | 300 | / | / | 203×169×361 | 1050 |
| WSQF-3000X | 5.5 | 7.5 | 3000 | 300 | / | / | 243×213×372 | 1250 |
| WSQF-5000X | 11 | 15 | 5000 | 320 | / | / | 280×245×425 | |
| WSQF-6000X | 11 | 15 | 6000 | 320 | / | / | 280×245×460 | |
| WSQF500-H | 2.2 | 3 | 500 | 300 | 10.2 | 0.55 | 149×140×258 | 520 |
| WSQF1000X-H | 3 | 4 | 1000 | 300 | 15.3 | 0.75 | 180×194×309 | 710 |
| WSQF2000X-H | 4 | 5 | 2000 | 300 | 30.6 | 1.1 | 203×221×361 | 1150 |
| WSQF3000X-H | 5.5 | 7.5 | 3000 | 300 | 40.8 | 2.2 | 246×270×372 | |
| WSQF5000X-H | 11 | 15 | 5000 | 320 | 51 | 3 | 280×300×425 | |
| WSQF6000X-H | 11 | 15 | 6000 | 320 | 51 | 3 | 280×300×460 | |

Power supply: 3Φ 380VAC 50Hz;

We reserve the right to change specifications without prior notice.

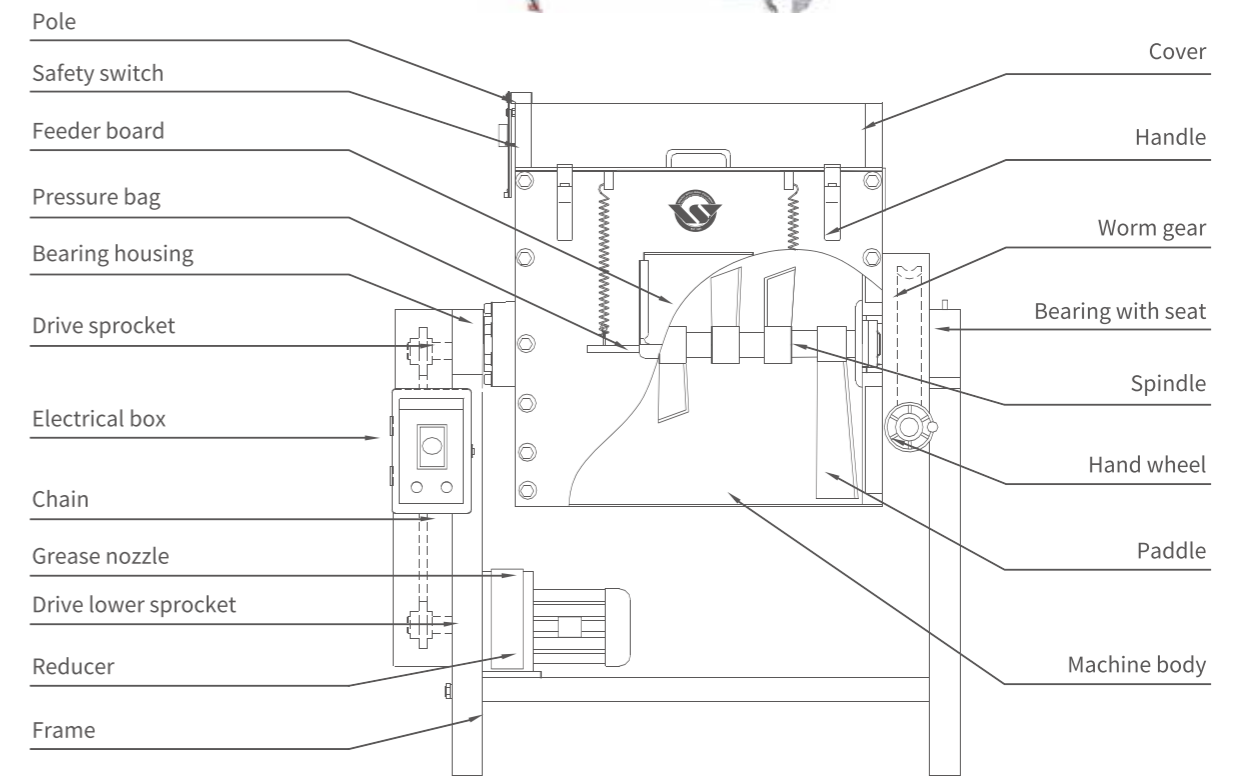
HORIZONTAL COLOR MIXER WSQA SERIES

Features

- › Stainless steel barrel and paddles are rust free and easy to clean.
- › Hopper can incline as many as 100 degrees for easy material unloading.
- › Safety switch ensures machine only operates when the lid is closed.
- › Timer able to set within 0-30 minutes.



Horizontal paddle



Specifications

| Model | Power | | Capacity (kg) | Rotating Speed (r/min) | Dimension L×W×H (cm) | Net Weight (kg) |
|----------|-------|-----|---------------|------------------------|----------------------|-----------------|
| | kW | HP | | | | |
| WSQA-100 | 2.2 | 3 | 100 | 47 | 110×85×130 | 285 |
| WSQA-150 | 4 | 5.5 | 150 | 47 | 142×85×130 | 358 |
| WSQA-200 | 4 | 5.5 | 200 | 47 | 160×100×138 | 530 |

Power supply: 3Φ 380VAC 50Hz;

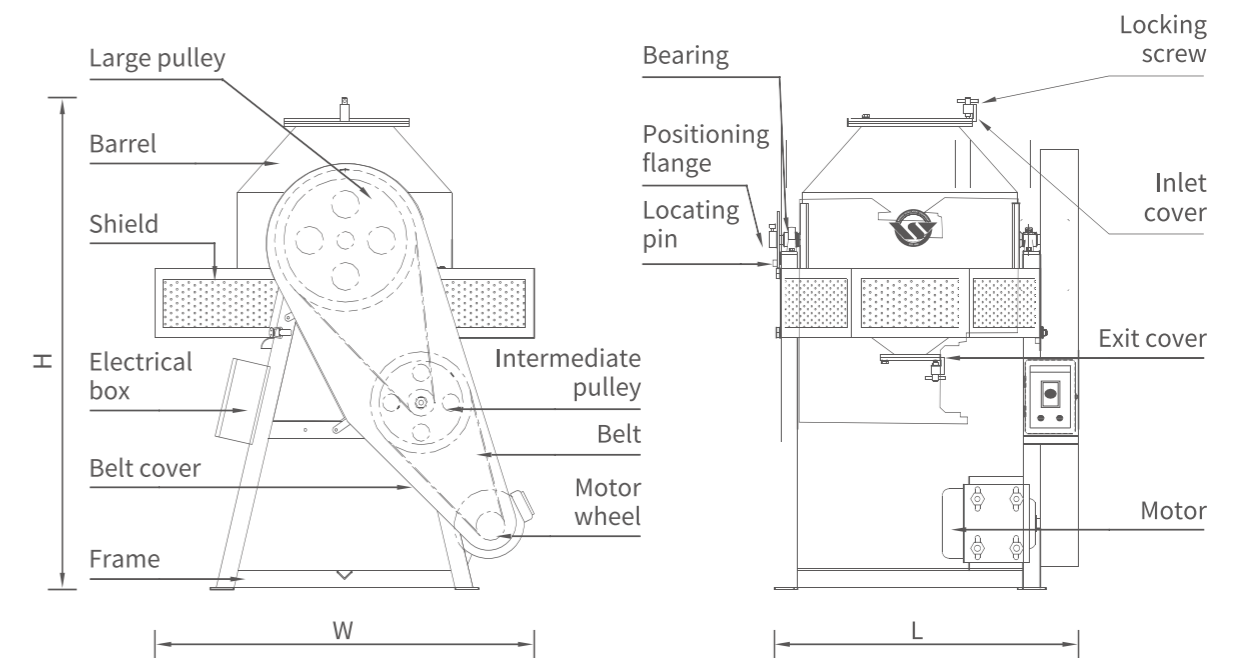
We reserve the right to change specifications without prior notice.

ROTARY COLOR MIXER WSQE SERIES



Features

- › Barrel is made of imported stainless steel with polished surface.
- › 360-degree rotation allows even mixing and convenient material feeding.
- › Fender prevents operators from entering the range of the machine to ensure safety.
- › Timer able to set within 0-30 minutes.



Specifications

| Model | Power | | Capacity(kg) | Rotating Speed(r/min) | Dimension(cm) L×W×H | Net Weight (kg) |
|----------|-------|----|--------------|-----------------------|------------------------|-----------------|
| | kW | HP | | | | |
| WSQE-50 | 0.75 | 1 | 50 | 46 | 90×89×140 | 120 |
| WSQE-100 | 1.5 | 2 | 100 | 46 | 102×110×150 | 147 |

Power supply: 3Φ 380VAC 50Hz;

We reserve the right to change specifications without prior notice.